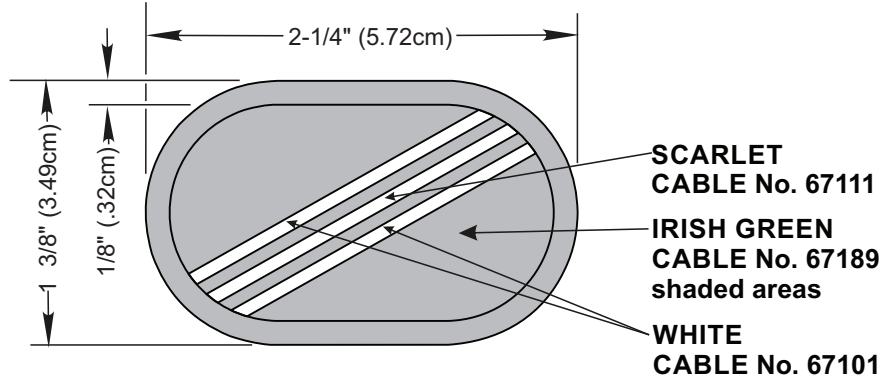


REVISIONS



DESIGNED FOR OVEREDGE STITCHING

DISTRIBUTION A. Approved for Public Release

EXAMINED	<i>TLC</i>		THE INSTITUTE OF HERALDRY, DEPARTMENT OF THE ARMY 9325 GUNSTON RD, RM S-113 FORT BELVOIR, VA 22060-5579
CHECKED	<i>CA</i>	<i>SAO</i>	
PREPARED	<i>CLH</i>		
APPROVED	MUGNO.CHARLE S.V.1020723374 MUGNO.CHARLES.V.1020723374 2019.12.16 14:42:39 -05'00' CHARLES V. MUGNO DIRECTOR		BACKGROUND TRIMMING FOR 346TH QUARTERMASTER COMPANY
MATERIALS: TO BE MANUFACTURED IN ACCORDANCE WITH MIL-DTL-14652			SIZE CONTROL IDENT. NO A 22571
			DATE 16 DECEMBER 2019

D

D

C

C

B

B

A

A